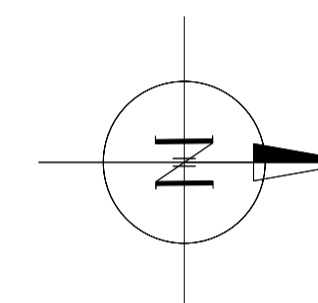


**LEGEND**

- EXISTING BRICKWORK
- REMOVED WALLS
- NEW WALL
- NEW INSULATION PANEL WALL/CEILING
- NEW WALL (FULL HEIGHT)
- NEW COLUMN

**NOTES**



**FOR TENDER PURPOSES ONLY**

A	2023-02-13	ISSUED FOR TENDER	LB
NO.	DATE	REVISION	NM

**SCIP ENGINEERING GROUP**  
 JOHANNESBURG  
 WITBANK  
 IN PARTNERSHIP WITH:  
**WV**  
 VAN VLIET DE WET & PARTNERS

PO Box 48550  
 Roosevelt Park, 2129  
 Johannesburg  
 Gauteng

Tel: 011 888 1425  
 Fax: 011 888 1075  
 joburg@scip.co.za  
 www.scip.co.za

CLIENT  
**KENYA CLIMATE SMART AGRICULTURE PROJECT**  
**ISIOLO COUNTY**

PROJECT  
**ISIOLO ABATTOIR**

DESCRIPTION  
**CAMEL BLEEDING AREA LAYOUT AND SECTIONS**

DESIGNED	W.v.V	SCALE	1:50	PAPER SIZE	A1
DRAWN	GM	DATE	NOVEMBER 2022		
CHECKED	W.v.V	<input type="radio"/> CONCEPT DRAWING <input checked="" type="radio"/> TENDER DRAWING <input type="radio"/> CONSTRUCTION DRAWING <input type="radio"/> AS BUILT DRAWING			
SIGNED	DRAWING STATUS				

DRAWING No. **1898-G0-08** REVISION: **A**